

# Cables & Connectors

## Twin Ultra Low Loss Double Shielded Cable

27/03/2014 v2



### SR1-029-B-T (CS29)

Ultra low loss double shielded cable

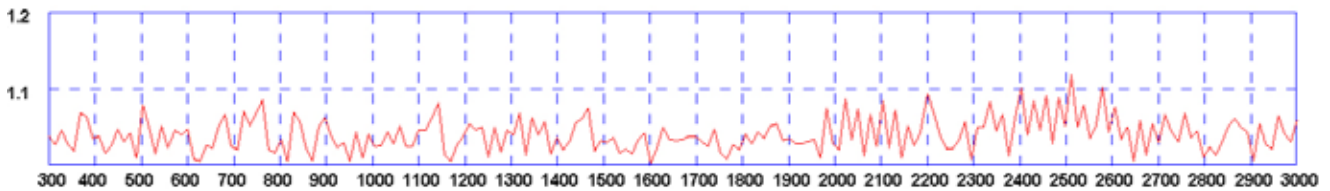
Panorama Antenna's CS29 cable is a high quality double shielded 5mm (0.2")  $\varnothing$  cable. CS29 offers both copper braid and aluminium foil shielding which significantly reduces signal attenuation especially at higher frequency. The stranded copper centre conductor and cellular polyethene dielectric ensures that it also offers excellent flexibility.

CS29 is an ideal choice for cellular, WLAN and other applications up to 3GHz.

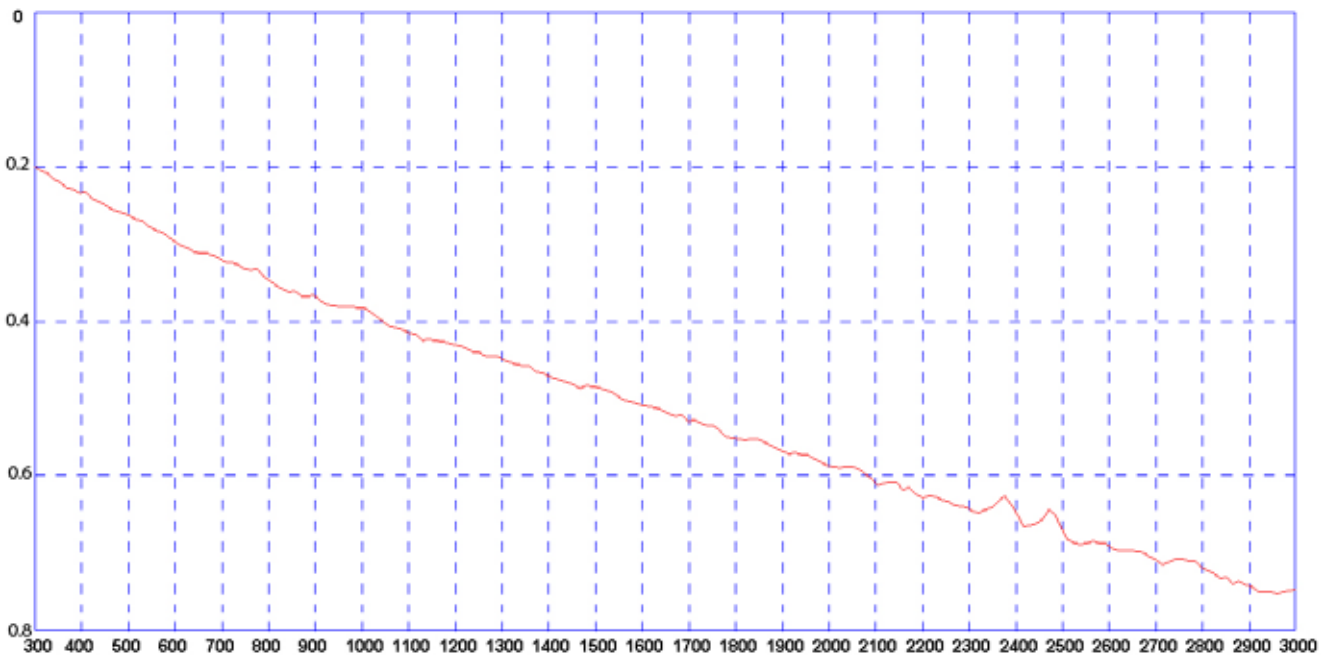
Twinax cable combines two cables into one and so is ideal for MiMo & diversity applications

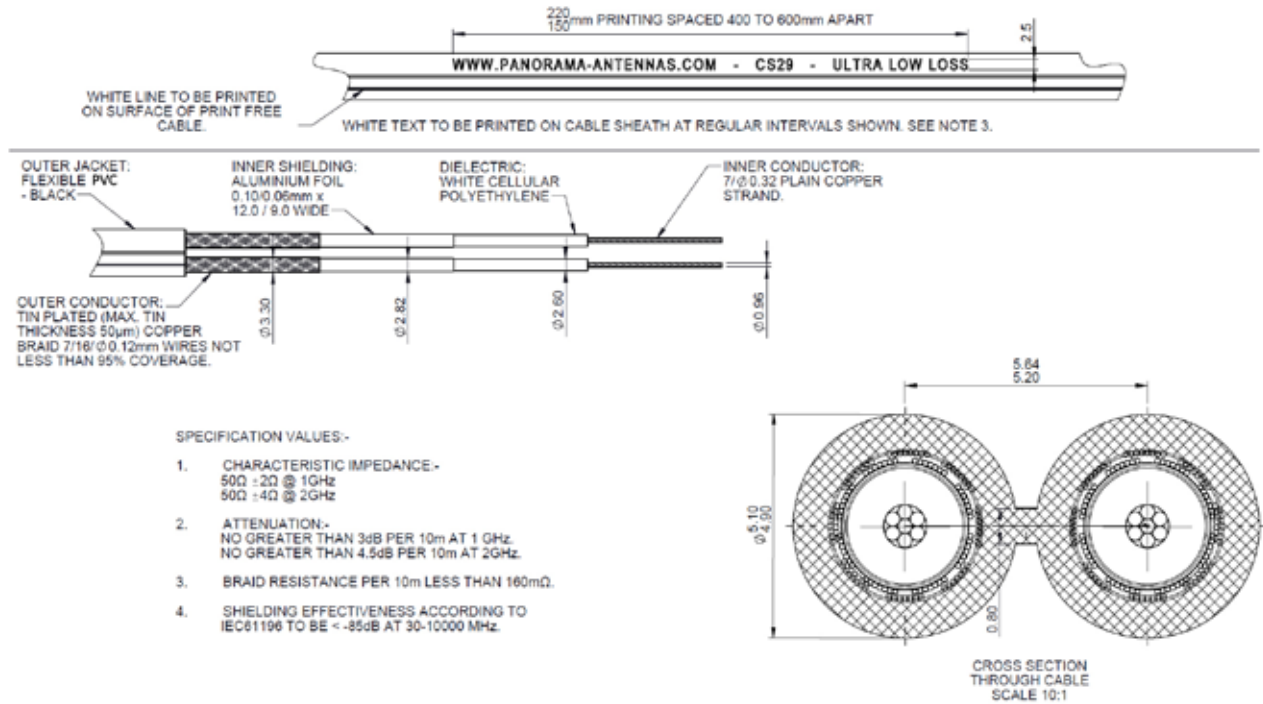
#### Electrical Data

Typical VSWR



Attenuation dB per m of cable





Part No.

SR1-029-B-T

Impedance

50Ω ± 2Ω at 1GHz  
50Ω ± 4Ω at 2GHz

Loss No Greater Than

2.5dB per 10m at 400MHz  
3dB per 10m at 1GHz  
4.5dB per 10m at 2GHz

Braid Resistance

Less than 160mΩ per 10m

Shielding Effectiveness

785dB according to IEC 61196-1

Velocity Factor

65%

Outer Jacket

Material PVC  
Colour Black

Diameter (mm) 5.0 (0.20")

Outer Conductor

Material Tin Plated  
Wire Coverage No less than 95%

Diameter (mm) 3.3 (0.12")

Inner Shielding

Material Aluminium foil  
Diameter (mm) 2.82 (0.11")

Dielectric

Material White Cellular Polyethylene  
Diameter (mm) 2.6 (0.12")

Inner Conductor

Material Plain Copper Strand  
Diameter (mm) 0.96 (0.03")

Operating Temp (°C)

-40° / +80°C (-40° / 176°F)



Panorama Antennas Ltd

Frogmore, London, SW18 1HF, United Kingdom

Waiver: The data given above is indicative of the performance of the product/s under particular conditions and does not imply a guarantee of performance.

These specifications are subject to change without notice. Copyright © Panorama Antennas Ltd. All rights reserved.

T: +44 (0)20 8877 4444

F: +44 (0)20 8877 4477

E: sales@panorama-antennas.com

www.panorama-antennas.com